

# **Arctic Fox Siding**

## **Reflective Insulation Install Manual**



[www.arcticfoxproducts.com](http://www.arcticfoxproducts.com)

Manufactured by  
Environmentally Safe Products, Inc.

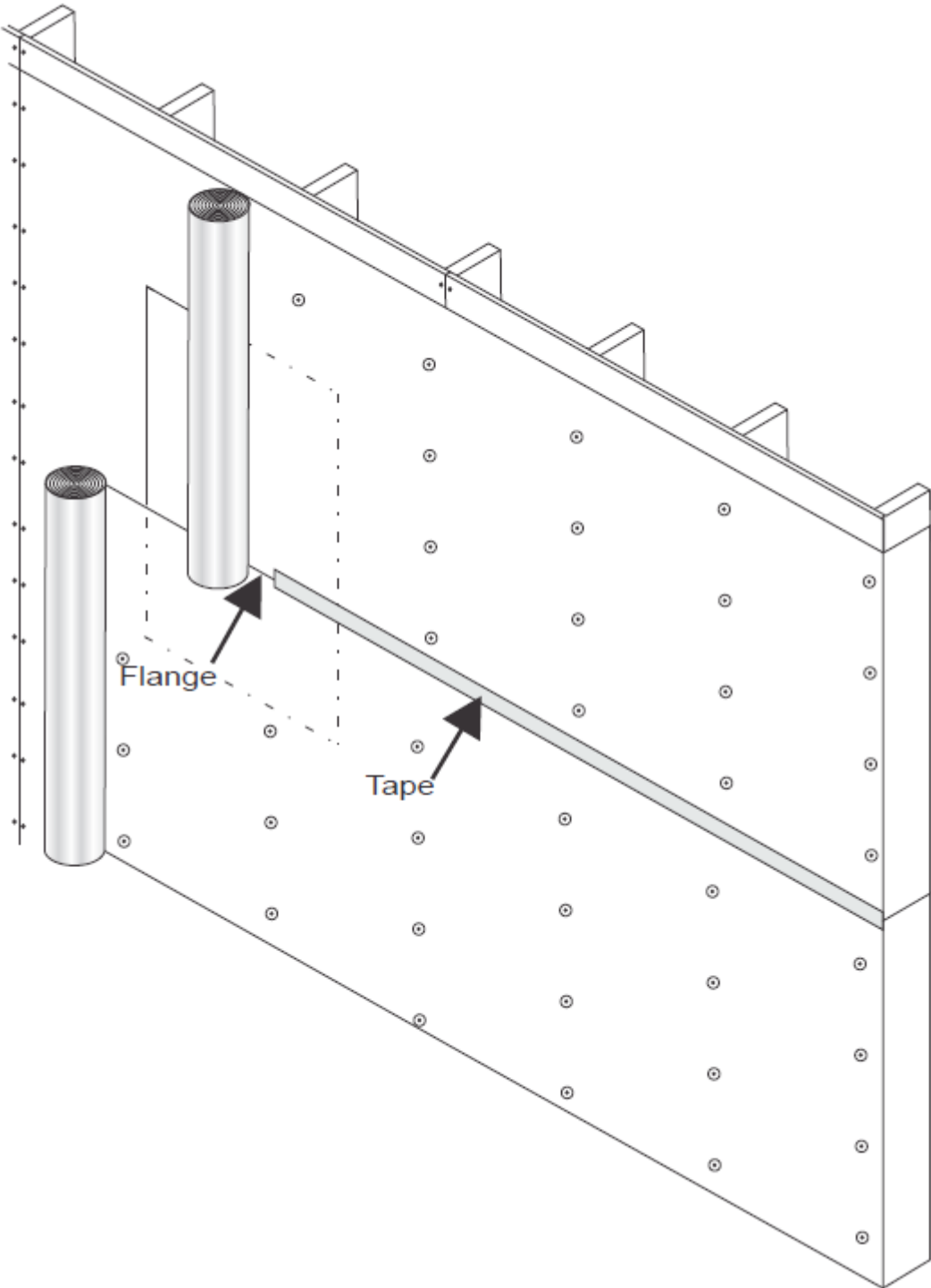
## TYPICAL SIDING APPLICATION

### Installation Method (Existing Walls)

1. The Arctic Fox Siding Insulation is installed over exterior wall sheathing; make sure reflective side faces out: foil flange faces down.
2. Determine width of the Arctic Fox Siding Insulation being used (4' or 5') for initial wrap (lowest point of wall surface)
3. Measure from sill plate up the wall, mark wall at level of determined width less 1" i.e. 5' Arctic Fox Siding Insulation mark at 59".
4. Snap chalk line around perimeter.
5. Starting at the corner of the preferred exterior wall, unroll the Arctic Fox Siding Insulation in a horizontal manner. Fasten using corrosion resistant staples having minimum 1" wide crown, corrosion resistant nails having minimum 3/8" heads or corrosion resistant nails having minimum 1" diameter plastic heads. Fasteners to be spaced a maximum of 16" both vertically and horizontally.
6. When rolling the Arctic Fox Siding Insulation over door and window openings: If windows and doors have been set, trim the Arctic Fox Siding Insulation as close to window or door opening as possible and perform detailing as per door / window manufacturer and or code standards.
7. The bottom side of the Arctic Fox Siding Insulation should extend over sill plate by a minimum 1".
8. When applying the second horizontal run of the Arctic Fox Siding Insulation butt foam ends together allowing the foil flange to overlap 2". Make certain the foil flange is to the outside to ensure a downward drainage plane.
9. Tape all vertical and horizontal flange seam areas with foil tape.
10. Continue method until the Arctic Fox Siding Insulation covers both top plates.
11. Use foil tape to repair areas that have been torn or compromised.
12. **Foil is a conductor of electricity. Use extreme caution when working with the Arctic Fox Siding Insulation around power lines, wiring and electrical devices.**

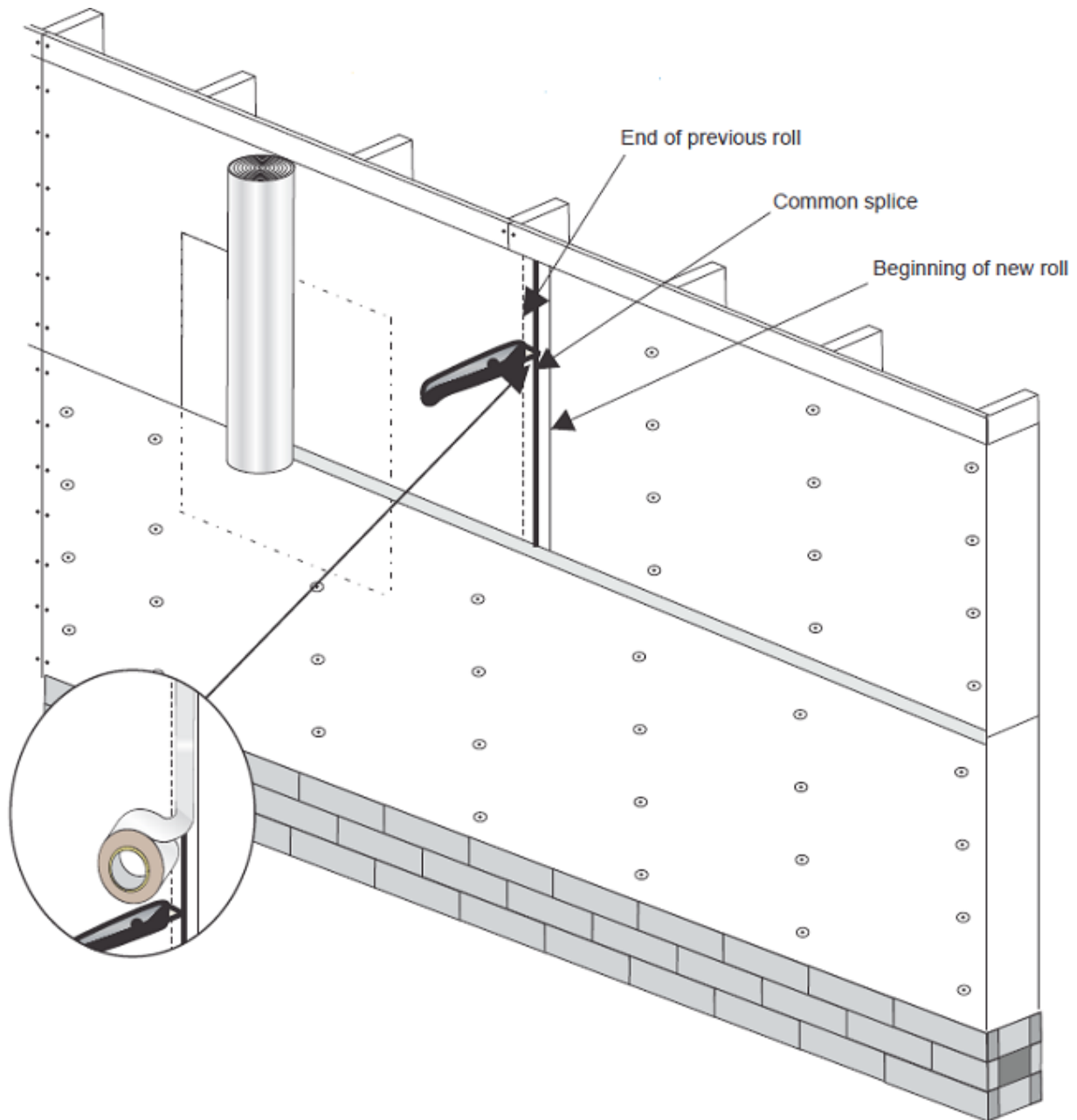
**Figure 1: Arctic Fox Siding Insulation**

---



1. When coming to the end of the existing roll in use, leave up to 12” of product unattached to the wall system.
2. Remove a new roll from packaging
3. Unroll the Arctic Fox Siding Insulation to the desired area making sure that product is plumb and square with housewrap already in place and overlap material past the end of previous material by approximately 8”.

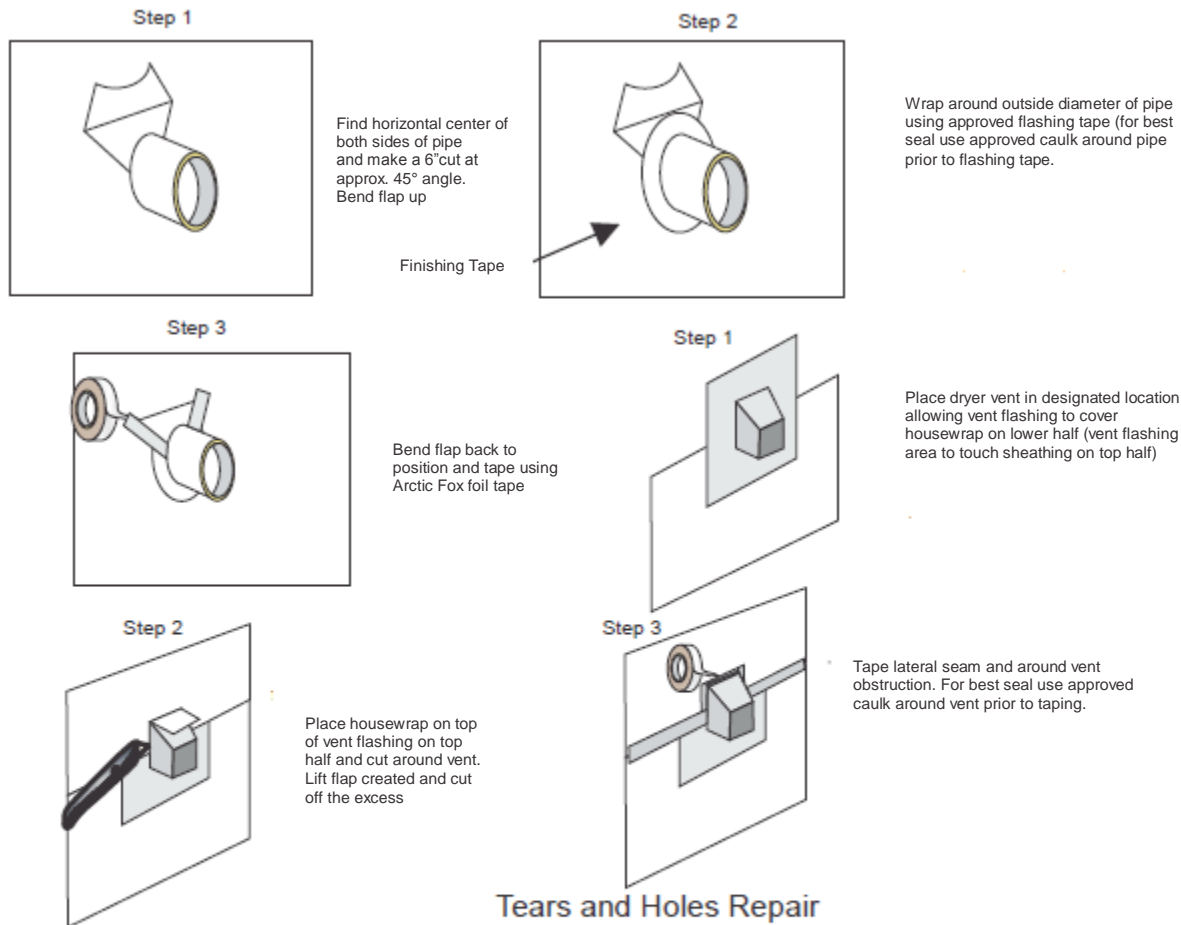
**Figure 2: Arctic Fox Siding Insulation Application**



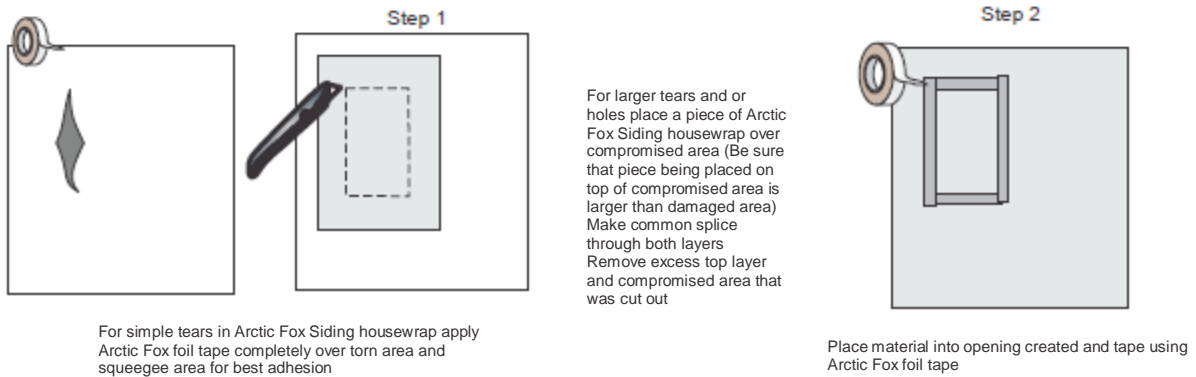
4. When coming to the end of existing roll in use, leave up to 12" of product unattached to wall system.
5. Remove new roll from packaging
6. Unroll the Arctic Fox Siding Insulation to desired area making sure that product is plumb and square with housewrap already in place and also overlap material past the end of previous material by approximately 8".
7. Locate center of overlapped materials and make common splice through both layers of material using utility knife.
8. Remove cut material from end of previous roll and start of new roll
9. Apply Arctic Fox Tape over common splice, then continue installing the Arctic Fox Siding Insulation as shown in Figure 2.
10. If vertical splice is not performed, product must be overlapped by a minimum of 6"

# Figure 3: Arctic Fox Siding Penetration Installation

## Penetration Installation Diagrams

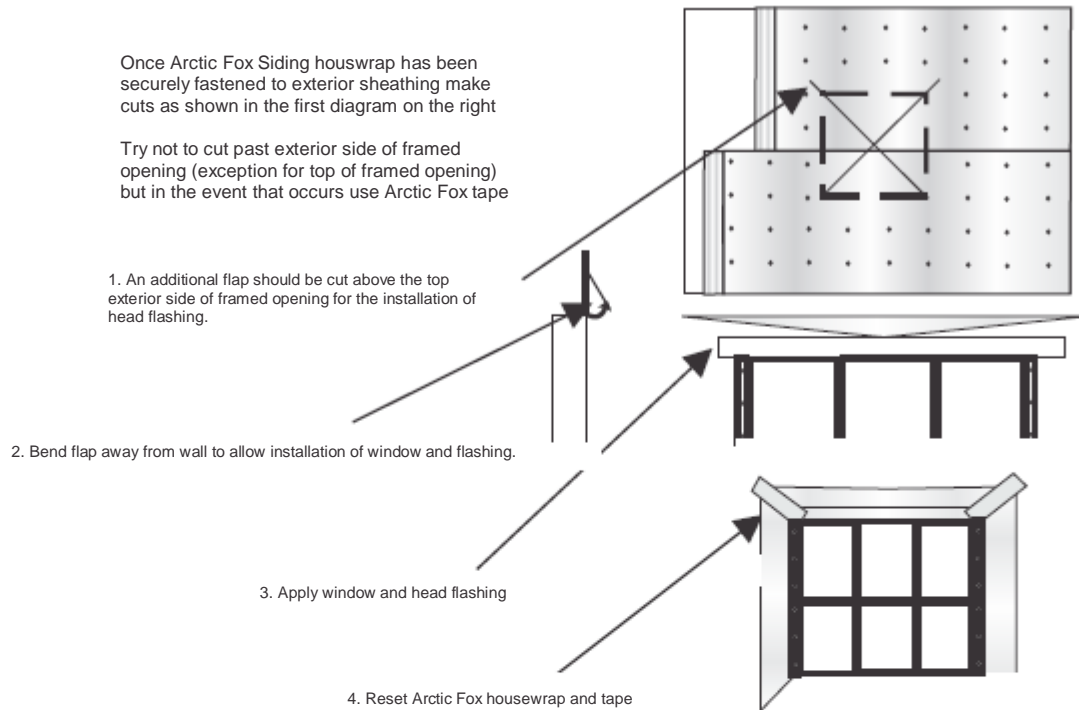


## Tears and Holes Repair

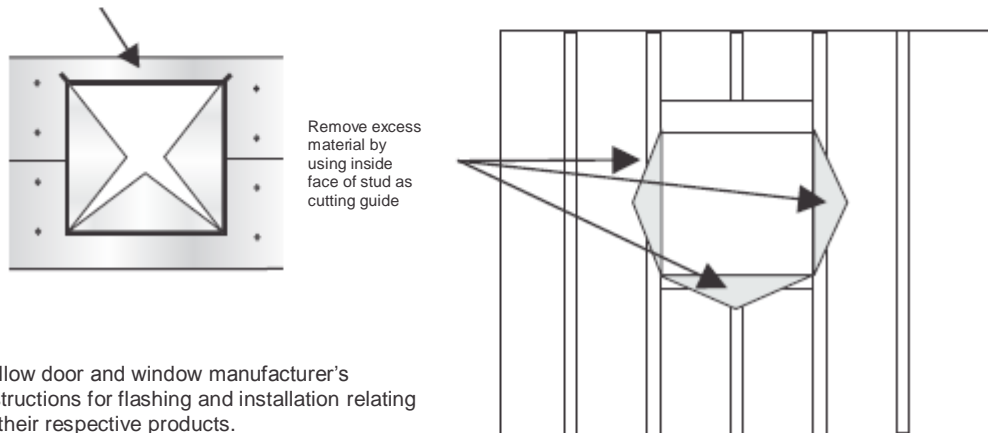


### Figure 3: Arctic Fox Siding Framed Openings

When installing Arctic Fox Siding housewrap over the exterior of structure be sure to run product horizontally over entire wall including framed openings.



Once side and bottom flaps have been cut, bend these flaps toward the interior of structure using staples or adhesive to attach Arctic Fox Siding housewrap to the face of the jamb.



## **WARNING:**

Although Arctic Fox Insulation products are all ASTM fire tested it is recommended that they, or any insulation material, should not be exposed to open flame or other ignition sources of sufficient intensity during shipment, storage or installation.

## **CAUTION:**

Aluminum is an electrical conductor. Please use caution when working around electrical sources including overhead power lines. Carefully inspect electrical junction boxes and check for frayed wires before beginning installation. Keep all staples 2 inches or more away from any wires or electrical fixtures.

## **CAUTION:**

Falling: When installing Arctic Fox insulation in an attic, it can be very easy to lose your balance, or slip and fall. In most attics, falling can cause your foot, or entire body to crash through the ceiling below. This can not only cause serious injury by itself but it can also increase the risk of electric shock if any wires are dragged in to the fall.

## **Ventilation:**

When installing any of the products listed in this manual it is vital that you DO NOT block or cover any existing designed ventilation openings or systems in the attic. Clear away any existing mass insulation that may be obstructing or otherwise obstructing the soffit vents.

## **Obstructions:**

When installing Arctic Fox, cut a splice in the material to fit around any obstructions. Use Arctic Fox seam tape to seal splices. Leave at least 3 inches of clearance around any obstacle, such as stove pipes or recessed lighting that might generate significant heat.

## **Considerations**

Arctic siding Insulation is to be installed as specified above. Before installing Arctic Fox reflective insulation an inspection should be performed to ensure there are no moisture, structural or electrical issues in the area of installation. If you are unsure of the condition of the installation area, contact a qualified professional to inspect and/or repair any issues before installing Arctic Fox reflective insulation in the home or building. For further reference on pre-installation inspection, please refer to ASTM standard C727 at [www.astm.org](http://www.astm.org).

## Specifications:

Name	Arctic Fox Product Code	Finished Dimension
Arctic Fox Siding Insulation	AF 4PFNS	4' x 125'
Arctic Fox Siding Insulation	AF 5PFNS	5' x 125'

### Other Information:

Shipped in roll form  
Core Material: Polyethylene  
Facing: 99.4% Polished Aluminum



### Notes and Warnings:

**Warning:** Although Arctic Fox Products are all fire tested, it is recommended that they or any insulation material should not be exposed to open flame or other ignition sources of sufficient intensity during shipment, storage or installation.

**Caution:** Aluminum is an electrical conductor. Please use caution when working around electrical sources including overhead power lines. Carefully inspect electrical junction boxes and check for frayed wires before beginning installation.